



LED FLOOD LIGHTS

FLOOD LIGHTS



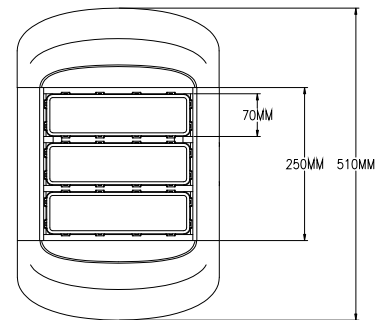
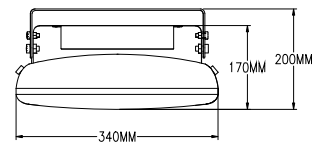
▶ MTGFLAS

Benefits

- Replace HPS, electrodeless fluorescent lamp or T8 tunnel lights
- Connections to the road lighting control system
- No flickering, UV and IR
- More than 40% energy saved
- Lifetime is more than 50,000 hours

Applications

- Foodlight, Building Façade, Mining Projects



Model	Volts	Number of Modules	Watts	Kelvin	Lumen	CRI	Dimensions	Equiv. to*
MTGFLAS40W	90-305	1	40	3000-6000	3800	70	430x348x170mm	80W
MTGFLAS80W	90-305	2	80	3000-6000	7600	70	510x348x170mm	160W
MTGFLAS120W	90-305	3	120	3000-6000	11400	70	590x348x170mm	240W
MTGFLAS160W	90-305	4	160	3000-6000	15200	70	670x348x170mm	320W
MTGFLAS200W	90-305	5	200	3000-6000	19000	70	750x348x170mm	400W
MTGFLAS240W	90-305	6	240	3000-6000	22800	70	830x348x170mm	500W
MTGFLAS280W	90-305	7	280	3000-6000	26600	70	910x348x170mm	500W

*Light output based on Metal Halide bulb.

FLOOD LIGHTS



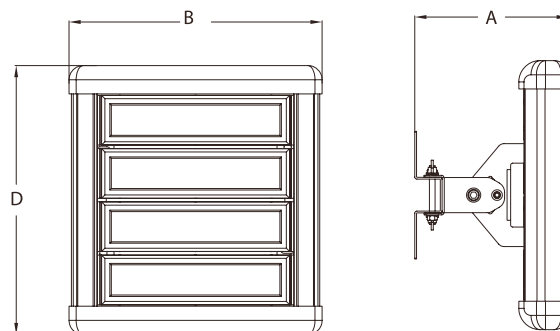
► MTGFLPT-60W/130W/200W

Benefits

- Modularpluggable design, tool free maintenance
- Replace HPS, electrodeless fluorescent lamp or T8 tunnel light
- Connection to the tunnel lighting control system is convenient
- No flickering, UV or IR
- More than 40% energy saved

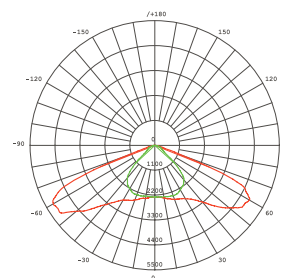
Applications

- Foodlight, Building Façade, Mining Projects



Model	Volts	Watts	Kelvin	Lumen	CRI	Dimensions	Equiv. to*
MTGFLPT 60W	240	60	5000	5700	70	(A) 216 x (B) 357 x (D) 235mm	120W
MTGFLPT 130W	240	130	5000	12,300	70	(A) 216 x (B) 357 x (D) 290mm	300W
MTGFLPT 200W	240	200	5000	19,000	70	(A) 216 x (B) 357 x (D) 395mm	400W

*Light output based on Metal Halide bulb.



FLOOD LIGHTS



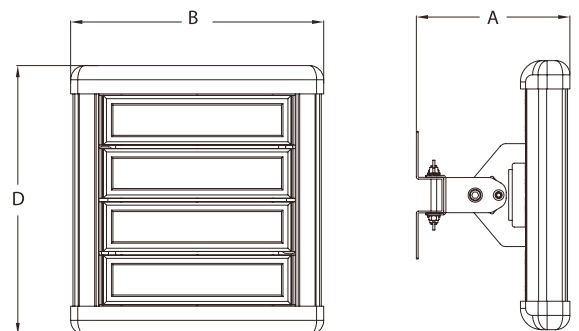
▶ MTGFLPT2-35W/70W/100W/150W/220W

Benefits

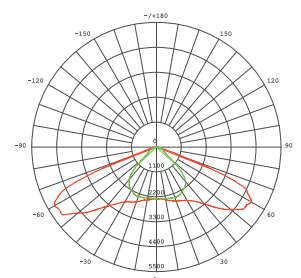
- Modularpluggable design, tool free maintenance
- Replace HPS, electrodeless fluorescent lamp or T8 tunnel light
- Connection to the tunnel lighting control system is convenient
- No flickering, UV or IR
- More than 40% energy saved

Applications

- Foodlight, Building Façade, Mining Projects



Model	Volts	Watts	Kelvin	Lumen	CRI	Dimensions	Equiv. to*
MTGFLPT2 35W	240	35	5000	3000	70	(A) 216 x (B) 357 x (D) 205mm	70W
MTGFLPT2 70W	240	70	5000	6600	70	(A) 216 x (B) 357 x (D) 235mm	100W
MTGFLPT2 100W	240	100	5000	9500	70	(A) 216 x (B) 357 x (D) 345mm	200W
MTGFLPT2 150W	240	150	5000	14250	70	(A) 216 x (B) 357 x (D) 515mm	300W
MTGFLPT2 220W	240	220	5000	20900	70	(A) 216 x (B) 357 x (D) 585mm	400W



*Light output based on Metal Halide bulb.