

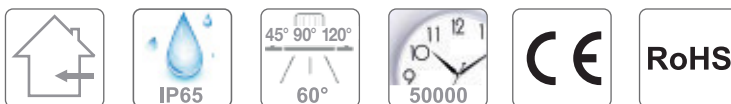
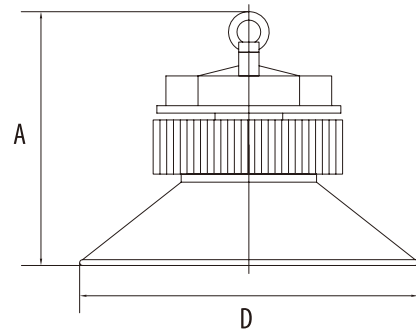
# HIGH BAY LIGHTS



## ► HB150W V2 ► HB200W V2

### Benefits

- Replace HPS or CDM high-bay
- No flickering, UV and IR
- More than 60% energy saved
- Lifetime is more than 50,000 hours



Model	Volts	Watts	Kelvin	Lumen	CRI	Dimensions
HB-150W5K V2	240	150	4000	15,000	80	(A) 405/445 x (D) 500mm
HB-200W5K V2	240	200	4000	20,000	80	(A) 475/525 x (D) 500mm

