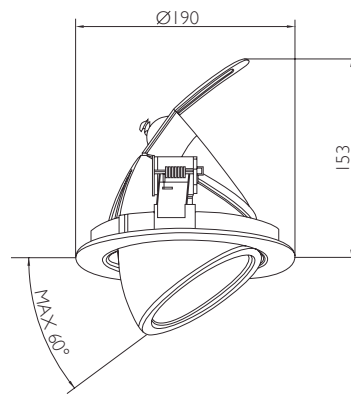
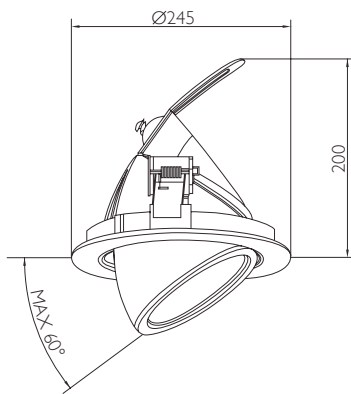




SHOP LIGHTS

- Retail lighting demands reliability and function as well as aesthetics from light. Our range has you covered, whether you need to retrofit and replace existing halogen, metal halide or CFL lights, or if you're designing a new build, we have the lights to meet your needs.
- All of our luminaires are UV, IR and Flicker free.
- Efficient LED technology means you can save up to 50% on your energy costs using LED
- Multiple beam angles, lumen packages, CCT options can be selected to suit your project's needs.
- All of our luminaires can be provided with dimming compatibility.
- All of our shop lights have up to 50,000 hours functional life and a full replacement warranty.
- We have Photometric data, LM79 and LM80 reports plus compliance for ALL of the luminaires in this range.
- General Innovation Australia is a registered responsible supplier.
- Warranty Terms & Conditions available on request.

SHOP LIGHTS



► Snorkel Downlight



IP20



RoHS

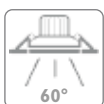
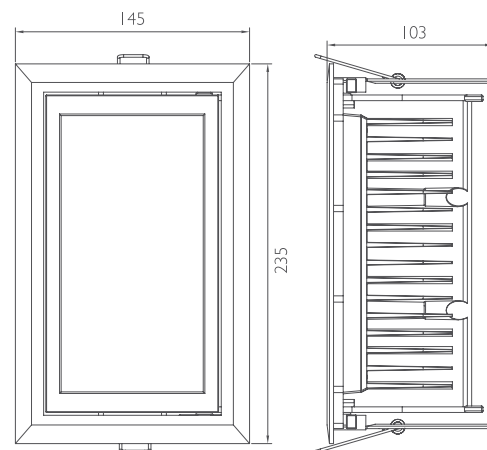


Model	Volts	Watts	Kelvin	Lumen	CRI	Cutout
MTGSL28W	240	28	3000/4000	2600	80/90	190mm
MTGSL46W	240	46	3000/4000	4100	80/90	245mm
MTGSL54W	240	54	3000/4000	4900	80/90	245mm

SHOP LIGHTS



► Square Shoplight



Model	Volts	Watts	Kelvin	Lumen	CRI	Dimensions
MTGSL28W-SQ	240	28	3000/4000	2350	80/90	220x130mm
MTGSL38W-SQ	240	38	3000/4000	3000	80/90	220x130mm

