



TRUNKING SYSTEM

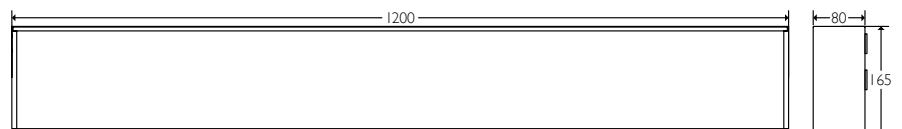
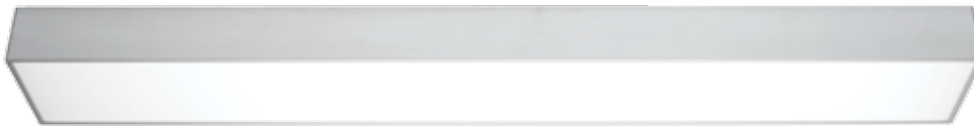
- Efficient, simple luminaires that fit smoothly, end to end, giving you a continuous line of illumination – perfect for Retail and Hospitality spaces. Whether you are upgrading, or building a new commercial space, the Mächtig range has the luminaire to suit your project.
- All of our luminaires are UV, IR and Flicker free.
- Efficient LED technology means you can save up to 50% on your energy costs using LED.
- All of our luminaires can be provided with dimming compatibility.
- Our trunking system offers up to 50,000 hours functional life and a full replacement warranty.
- We have Photometric data, LM79 and LM80 reports plus compliance for all of the luminaires in this range.
- General Innovation Australia is a registered responsible supplier.
- Warranty Terms & Conditions available on request.

TRUNKING SYSTEM



▶ Trunking System

- End to end connection for continuous light
- Suspended option

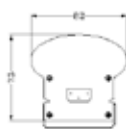
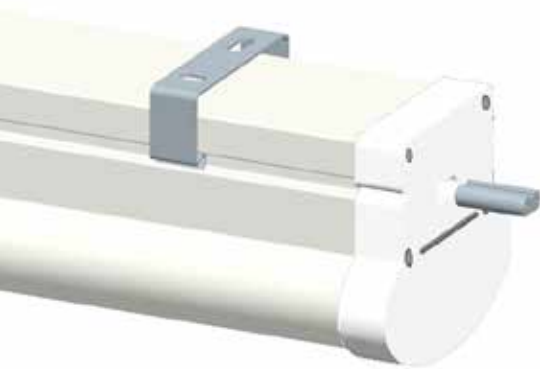


Model	Volts	Watts	Kelvin	Lumen	CRI	Dimensions
MTGTRU39W	240	39	3000/4000	3000	84	165x80x1200

TRUNKING SYSTEM



▶ WP Trunking Batten



Model	Volts	Watts	Kelvin	Lumen	LED	Length
MTGTRU36W-WP	240	36	4000	3600	Samsung	1200mm

*IP44 when used in trunking.



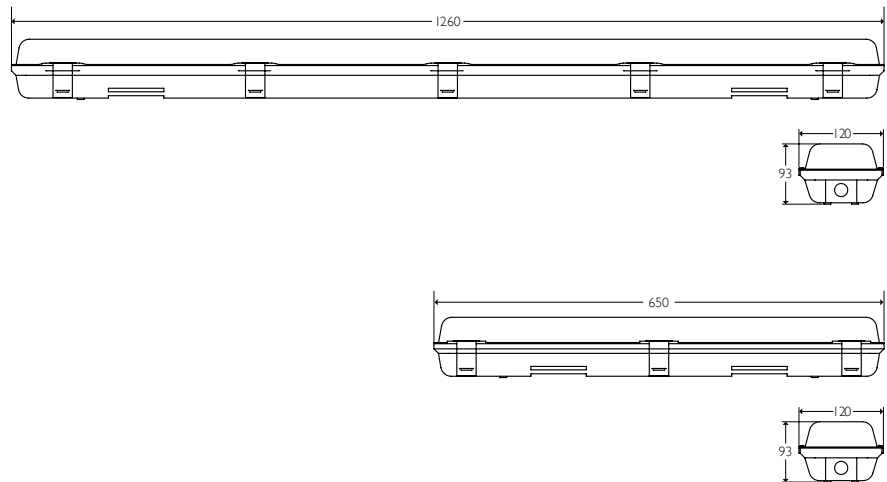
BATTENS

- Efficient, simple luminaires that mount onto either the Ceiling or Wall providing an even spread of general illumination in a room. Ideal for CarParks, Construction and for Back of House environments.
- Whether you are upgrading, or building a new commercial space, the Mächtig range has the luminaire to suit your project.
- All of our luminaires are UV, IR and Flicker free.
- Efficient LED technology means you can save up to 50% on your energy costs using LED
- Our battens provide up to 50,000 hours functional life and a full replacement warranty.
- We have Photometric data, LM79 and LM80 reports plus compliance for all of the luminaires in this range.
- Emergency 120m backup.
- General Innovation Australia is a registered responsible supplier.
- Warranty Terms & Conditions available on request.

BATTENS



► Opal WWP Batten



Model	Volts	Watts	Kelvin	Lumen	LED	Length
MTGWPI18W-600	240	18	4000/5000	1800	Samsung	600mm
MTGWPI18W-1200	240	18	4000/5000	1800	Samsung	1200mm
MTGWP28W-1200	240	28	4000/5000	2500	Samsung	1200mm
MTGWP36W-1200	240	36	4000/5000	3600	Samsung	1200mm

**AVAILABLE WITH 2-HOUR EMERGENCY, MAINTAINED AND NON-MAINTAINED.
AVAILABLE WITH MOTION SENSOR.**

BATTENS



► WP Trunking Batten



Model	Volts	Watts	Kelvin	Lumen	LED	Length
MTGWGP36W-1200-V2	240	36	4000/6000	3600	Samsung	1200mm